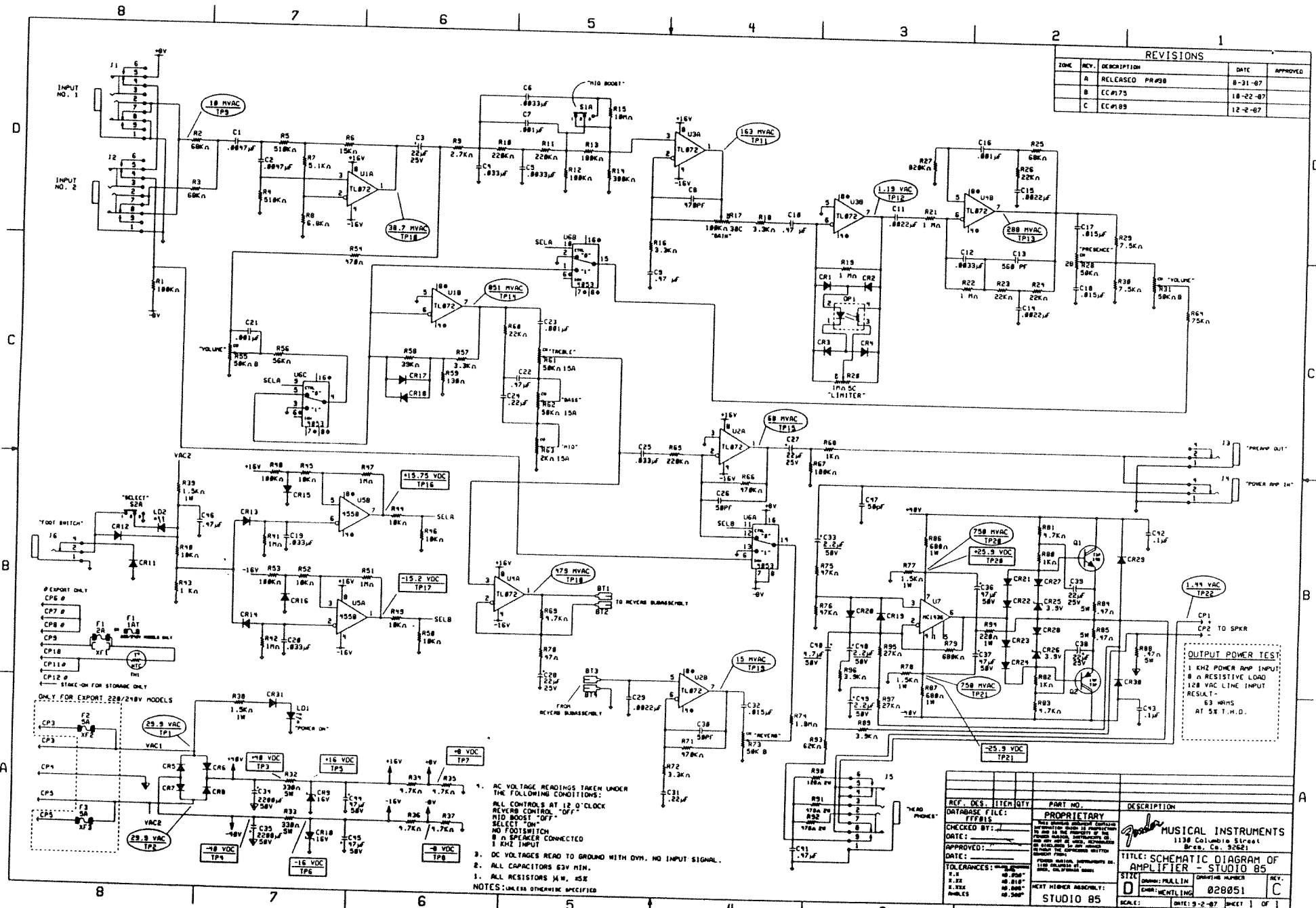


REVISIONS				
ZONE	REV.	DESCRIPTION	DATE	APPROVED
A	1	RELEASED PR#88	8-31-67	
B	1	CC#175	10-22-67	
C	1	CC#189	12-2-67	



- AC VOLTAGE READINGS TAKEN UNDER THE FOLLOWING CONDITIONS:
 ALL CONTROLS AT 12 O'CLOCK
 REVERSE CONTROL - "OFF"
 MID BOOST - "OFF"
 SELECT - "ON"
 NO FOOTSWITCH
 NO SPEAKER CONNECTED
 1 KHZ INPUT
- DC VOLTAGES READ TO GROUND WITH DVM, NO INPUT SIGNAL.
- ALL CAPACITORS 50V MIN.
- ALL RESISTORS 1/4W, 5% TOLERANCE UNLESS OTHERWISE SPECIFIED

OUTPUT POWER TEST:
 1 KHZ POWER AMP INPUT
 8 OHM RESISTIVE LOAD
 128 VAC LINE INPUT
 RESULT: 63 W RMS
 AT 5% T.H.D.

REF. DES.	QTY	PART NO.	DESCRIPTION
100K	1	100K	RESISTOR
50K	1	50K	RESISTOR
10K	1	10K	RESISTOR
1K	1	1K	RESISTOR
100	1	100	CAPACITOR
10	1	10	CAPACITOR
1	1	1	CAPACITOR

DATE: _____	APPROVED: _____
DATE: _____	APPROVED: _____
DATE: _____	APPROVED: _____

DATE: _____	APPROVED: _____
DATE: _____	APPROVED: _____
DATE: _____	APPROVED: _____

DATE: _____	APPROVED: _____
DATE: _____	APPROVED: _____
DATE: _____	APPROVED: _____

MUSICAL INSTRUMENTS
 1138 Columbia Street
 Brea, Ca. 92621

TITLE: SCHEMATIC DIAGRAM OF AMPLIFIER - STUDIO 85

SCALE: DATE: 9-2-67 SHEET 1 OF 1