

THIS PRODUCT MANUFACTURED UNDER ONE OR MORE OF THE FOLLOWING U.S. PATENTS 2817708, 2973681, 192859 AND PATENTS PENDING.

INPUTS

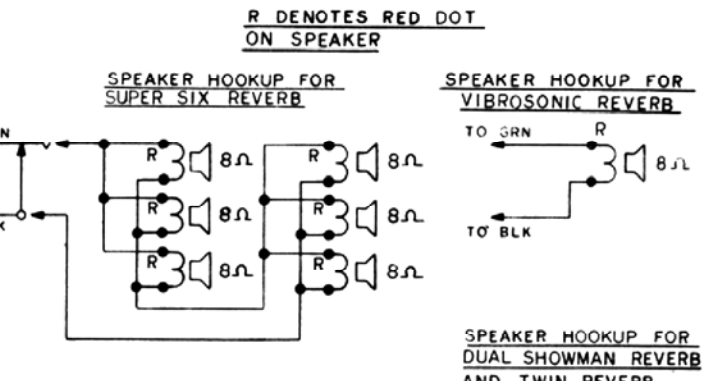
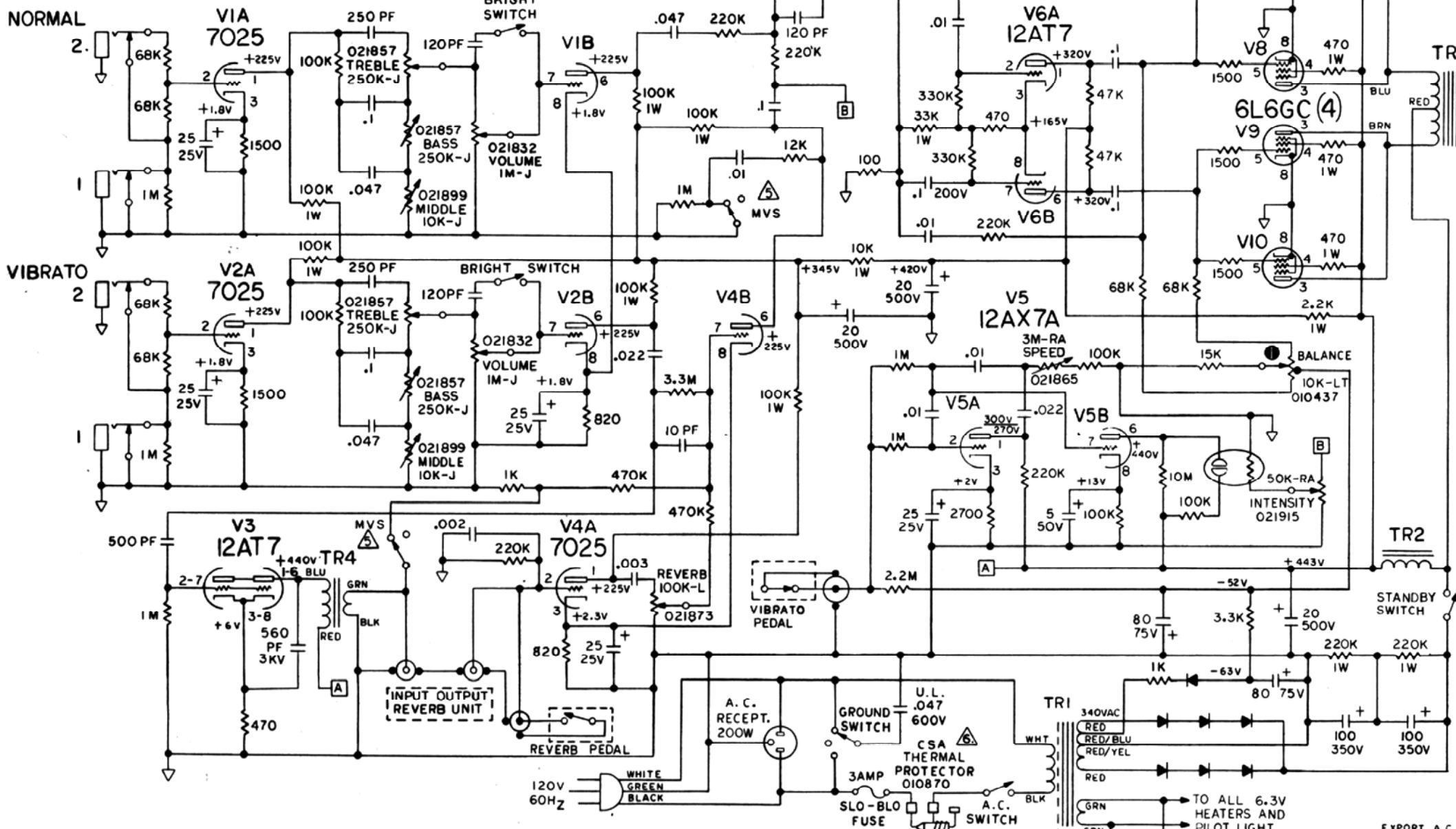
NORMAL



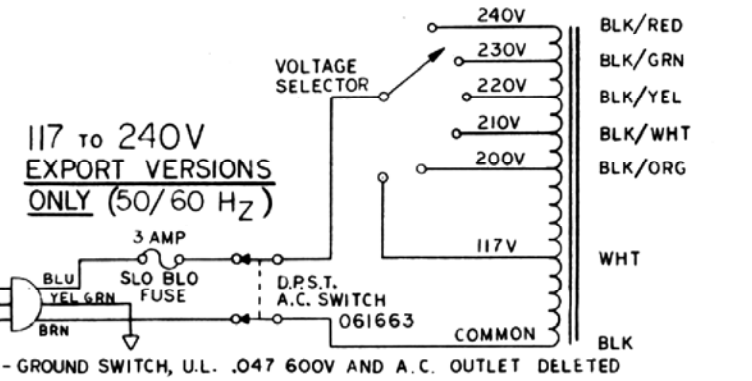
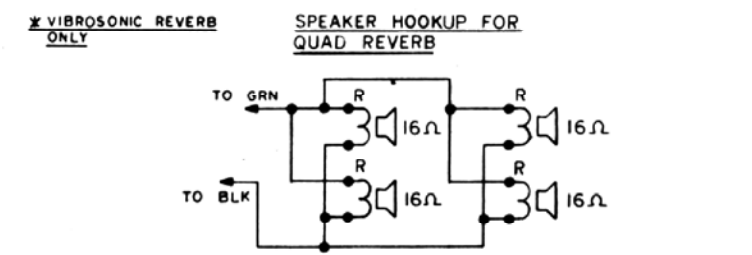
VIBRATO



011540
MASTER VOLUME
AND PUSH-PULL
SWITCH



FENDER P/N	ON EXPORT MODEL
022764	TR1-125P34AX
022756	TR1-125P34A
022699	TR2-125C1A
022889	TR3-125A29A
* 022897	TR3-125A30A
022921	TR4-125A20A



FENDER MUSICAL INSTRUMENTS
CBS MUSICAL INSTRUMENTS
A DIVISION OF CBS INC.
FULLERTON, CALIFORNIA
U.S.A.

- 1. VOLTAGES READ TO GROUND WITH V.T.V.M. WITH VIBRATO GROUNDED (EXCEPT V5) - NO INPUT SIGNAL.
 - 2. ALL RESISTORS 1/2 WATT ± 10%.
 - 3. ALL CAPACITORS AT LEAST 600V, W.V.D.C.
 - 4. FENDER P/N FOR CONTROLS INDICATED.
- △ P/N 010870 USED IN SOME VERSIONS.
- ⚠ MASTER VOLUME PUSH-PULL SWITCH DESIGNATED 'MVS' SHOWN IN 'OUT' POSITION, PUSH IN FOR PURE SOUND. USED IN SOME VERSIONS.
1. SAMPLES OF FIRST ARTICLE PARTS MUST BE APPROVED BY CBS R & D ENG. BEFORE STARTING PRODUCTION.

NOTES: UNLESS OTHERWISE SPECIFIED

CBS MUSICAL INSTRUMENTS
FULLERTON, CALIFORNIA

DWG. TITLE — SCHEMATIC —

100 WATTS RMS AMP
W/REVERB AND VIBRATO

DWG. NO. 010182

REV G